

PSU 4-18

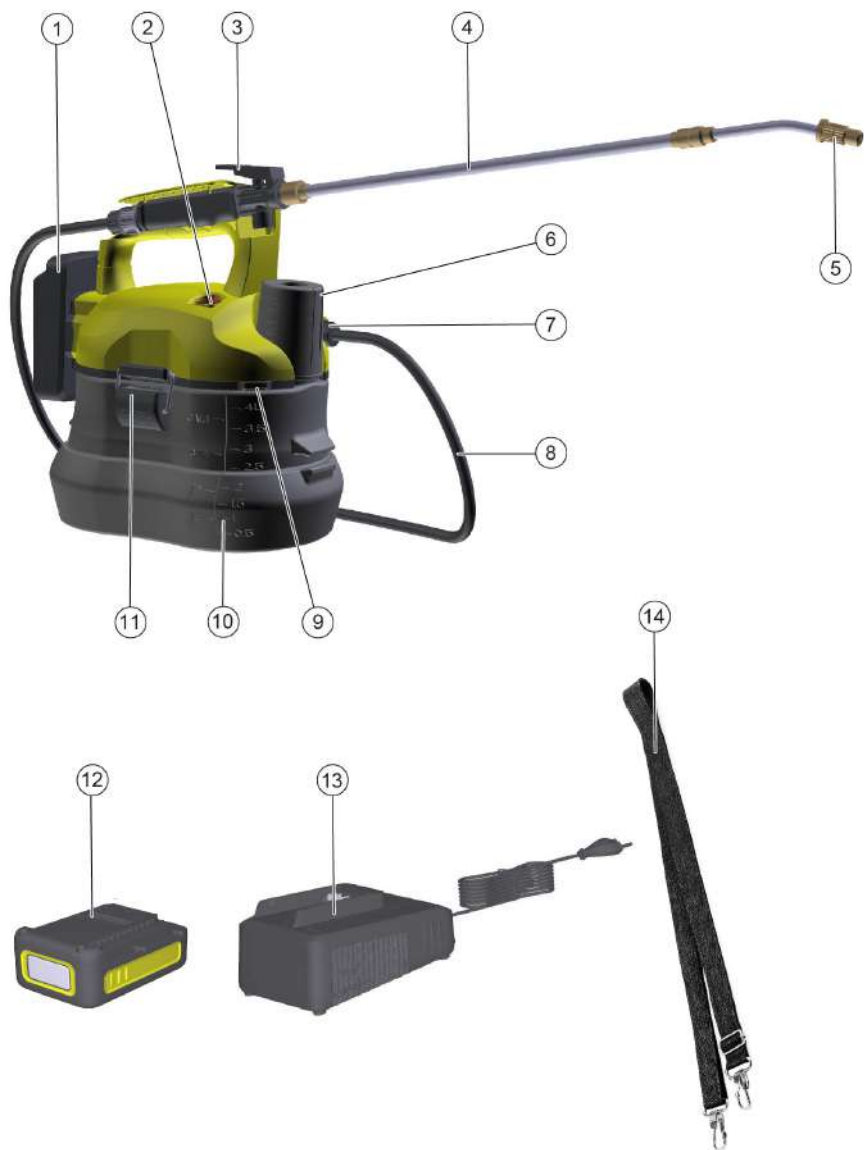


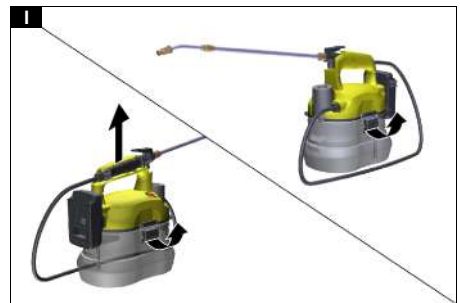
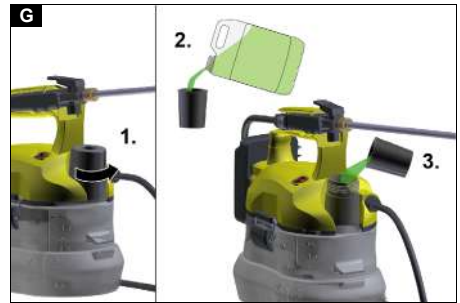
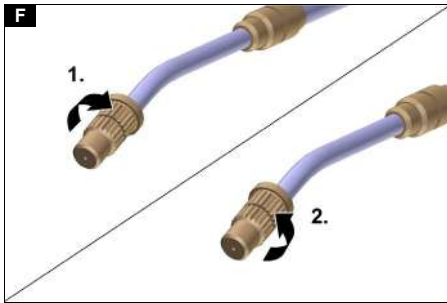
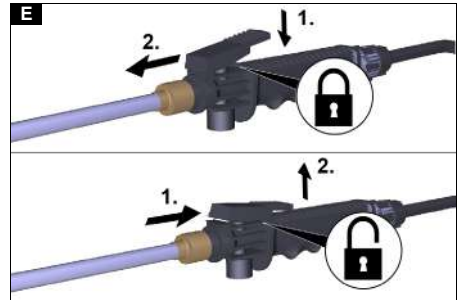
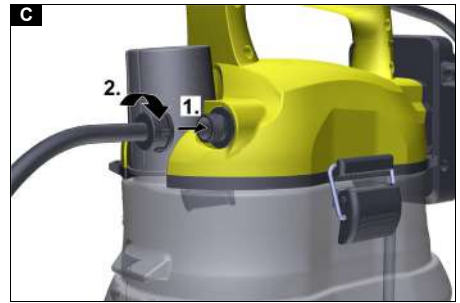
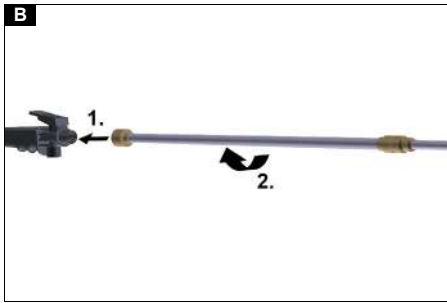
Deutsch	5
English	9
Français	13
Italiano	18
Nederlands	23
Español	27
Português	32
Dansk	36
Norsk	40
Svenska	44
Suomi	49
Ελληνικά	53
Türkçe	58
Русский	62
Magyar	67
Čeština	72
Slovenščina	76
Polski	80
Românește	85
Slovenčina	89
Hrvatski	94
Српски	98
Български	102
Eesti	107
Latviešu	111
Lietuviškai	116
Українська	120
Қазақша	125
日本語	130
العربية	134

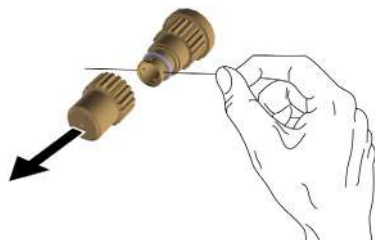


Register
your product
www.kärcher.com/welcome







J**K**

Technische Daten

		PSU 4-18
Leistungsdaten Gerät		
Betriebsspannung	V	18
Ermittelte Werte gemäß EN 60745-1		
Schalldruckpegel L_{pA}	dB(A)	77
Schallleistungspegel L_{WA}	dB(A)	90
Hand-Arm-Vibrationswert	m/s^2	<2,5
Arbeitsdruck (max.)	bar	3
Fördermenge (max.)	l/h	30
Maße und Gewichte		
Schlauchlänge	cm	120
Länge teleskopierbare Sprühlange	cm	45 - 75
ze		
Gewicht (ohne Akkupack)	kg	2,4
Länge x Breite x Höhe	mm	750 x 185 x 365

Technische Änderungen vorbehalten.

EU-Konformitätserklärung

Hiermit erklären wir, dass die nachfolgend bezeichnete Maschine aufgrund ihrer Konzipierung und Bauart sowie in der von uns in Verkehr gebrachten Ausführung den einschlägigen grundlegenden Sicherheits- und Gesundheitsanforderungen der EU-Richtlinien entspricht. Bei einer nicht mit uns abgestimmten Änderung der Maschine verliert diese Erklärung ihre Gültigkeit.

Produkt: Akku Pflanzensprüher

Typ: 1.145-xxx

Einschlägige EU-Richtlinien

2006/42/EG (+2009/127/EG)

2014/30/EU

2011/65/EU

Angewandte harmonisierte Normen

EN 60745-1

EN 50580:2014

EN 62233: 2008

EN 55014-1: 2017 + A11: 2020

EN 55014-2: 2015

EN IEC 63000: 2018

Die Unterzeichnenden handeln im Auftrag und mit Vollmacht des Vorstands.



H. Jenner
Chairman of the Board of Management



S. Reiser
Director Regulatory Affairs & Certification

Dokumentationsbevollmächtigter:

S. Reiser

Alfred Kärcher SE & Co. KG

Alfred-Kärcher-Str. 28 - 40

71364 Winnenden (Germany)

Tel.: +49 7195 14-0

Fax: +49 7195 14-2212

Winnenden, 2021/09/01

Contents

General notes.....	9
Intended use	9
Environmental protection	9
Accessories and spare parts.....	10
Scope of delivery.....	10
Symbols on the device.....	10
Hazard levels	10
Safety information	10
Description of the device.....	11
Installation	11
Initial startup.....	11
Operation	12
Transport.....	12
Storage.....	12
Care and maintenance.....	12
Troubleshooting guide.....	12
Warranty.....	13
Technical data	13
EU Declaration of Conformity.....	13

General notes



Read these safety instructions, these original instructions, the safety instructions provided with the battery pack and the original instructions supplied with the battery pack/standard charger before using the device for the first time. Act in accordance with them. Keep the booklets for future reference or for future owners.

In addition to the notes in the operating instructions, you also need to take into consideration the general safety regulations and accident prevention guidelines applicable by law.

Intended use

The cordless pressure sprayer is intended for outdoor use in a well-ventilated area. The product is for spraying household and garden chemicals such as insecticides, fungicides and fertilisers. The product can also be used for watering plants. Do not use the product for purposes other than those mentioned above. The product must not be used by children or by persons who are not wearing adequate personal protective equipment and clothing.

Always observe the regionally applicable regulations.

Environmental protection



The packing materials can be recycled. Please dispose of packaging in accordance with the environmental regulations.



Electrical and electronic appliances contain valuable, recyclable materials and often components such as batteries, rechargeable batteries or oil, which - if handled or disposed of incorrectly - can pose a potential threat to human health and the environment. However, these components are required for the correct operation of the appliance. Appliances marked by this symbol are not allowed to be disposed of together with the household rubbish.

Notes on the content materials (REACH)

Current information on content materials can be found at: www.kaercher.com/REACH

Accessories and spare parts








Only use original accessories and original spare parts. They ensure that the appliance will run fault-free and safely.

Information on accessories and spare parts can be found at www.kaercher.com.

Scope of delivery

The scope of delivery for the appliance is shown on the packaging. Check the contents for completeness when unpacking. If any accessories are missing or in the event of any shipping damage, please notify your dealer.

Symbols on the device

	General warning symbol
	Read the operating instructions and all safety instructions before operating the device for the first time.
	Wear non-slip, sturdy gloves when working with the device.
	Wear suitable eye protection when working with the device.
	Wear non-slip safety shoes when working with the device.
	Wear a mouth-nose mask when working with the device.
	Do not subject the device to rain or moist conditions.

Hazard levels

⚠ DANGER

- Indication of an imminent threat of danger that will lead to severe injuries or even death.

⚠ WARNING

- Indication of a potentially dangerous situation that may lead to severe injuries or even death.

⚠ CAUTION

- Indication of a potentially dangerous situation that may lead to minor injuries.

ATTENTION

- Indication of a potentially dangerous situation that may lead to damage to property.

Safety information

General safety instructions

⚠ DANGER • Risk of acid burns. Never point the nozzle at a person or an animal. Never allow the jet to come into direct contact with your skin. • Danger of

burns. This device must not be used for spraying flammable paints or solvents with a flash point < 21°C.

⚠ WARNING • When spraying, make sure that the work area is adequately ventilated. • Risk of acid burns. Always hold the spray lance in position during use. • Danger of explosion. Never use the device in areas where there is a risk of fire or explosion. • Risk of injury. Pay attention to any danger from the fluid being sprayed and consult the markings on the container or the information supplied by the manufacturer. • Do not spray any fluid that you do not know is dangerous and/or harmful.

General Power Tool Safety Instructions

⚠ WARNING

- Read all safety warnings and all instructions. Failure to follow the warnings and instructions may result in electric shock, fire and/or serious injury. Save all warnings and instructions for future reference.

The term "power tool" in the safety instructions refers to your mains-operated (corded) power tool or battery-operated (cordless) power tool.

1 Work safety

- a Keep your work area clean and well-lit. Untidy or unlit work areas can lead to accidents.
- b Do not operate power tools in explosive atmospheres, such as in the presence of flammable liquids, gases or dust. Power tools create sparks which may ignite the dust or fumes.
- c Keep children and bystanders away while operating a power tool. Distractions can cause you to lose control of the device.

2 Electrical safety

- a Avoid body contact with earthed or grounded surfaces such as pipes, radiators, ranges and refrigerators. There is an increased risk of electric shock if your body is earthed or grounded.
- b Do not expose power tools to rain or wet conditions. Water entering a power tool will increase the risk of electric shock.

3 Personal safety

- a Stay alert, watch what you are doing and use common sense when operating a power tool. Do not use a power tool while you are tired or under the influence of drugs, alcohol or medication. A moment of inattention while operating power tools may result in serious personal injury.
- b Use personal protective equipment and always wear safety goggles. Protective equipment such as dust mask, non-skid safety shoes, hard hat, or hearing protection used for appropriate conditions will reduce the risk of personal injuries.
- c Prevent unintentional starting. Ensure that the power tool is switched off before connecting the power supply and/or battery pack, picking up or carrying the tool. Carrying power tools with your finger on the switch or connecting the power supply to a device that is already switched on can lead to accidents.
- d Remove any adjusting key or wrench before turning the power tool on. A wrench or a key left attached to a rotating part of the power tool may result in personal injury.
- e Do not overreach. Keep a firm footing and maintain your balance at all times. This en-

bles better control of the power tool in unexpected situations.

- f **Wear suitable clothing. Do not wear loose-fitting clothing or dangling jewellery. Keep your hair, clothing and gloves away from moving parts. Loose clothes, gloves, jewellery or long hair can be caught in moving parts.**
- 4 **Power tool use and care**
 - a **Do not overload the device. Use the correct power tool for your application. The correct power tool will do the job better and safer at the rate for which it was designed.**
 - b **Do not use the power tool if the switch does not turn it on and off. Any power tool that cannot be controlled with the switch is dangerous and must be repaired.**
 - c **Disconnect the plug from the power source and/or the battery pack before making any adjustments, changing accessories, or storing the device. Such preventive safety measures reduce the risk of starting the power tool accidentally.**
 - d **Store unused power tools out of the reach of children. Do not allow persons unfamiliar with the device or these instructions to operate the device. Power tools are dangerous in the hands of untrained users.**
 - e **Maintain power tools. Check for misalignment or binding of moving parts, breakage of parts and any other condition that may affect the power tool's operation. If damaged, have the power tool repaired before use. Many accidents are caused by poorly maintained power tools.**
 - f **Use the power tool, accessories and tool bits etc. in accordance with these instructions, taking into account the working conditions and the work to be performed. Use of the power tool for operations different from those intended could result in a hazardous situation.**
- 5 **Use and care of battery packs**
 - a **Only charge the battery pack with the chargers approved by the manufacturer. Chargers that are not suitable for the corresponding battery pack may cause a fire.**
 - b **Only use the device with a suitable battery pack. Using a different battery pack may cause injury or fire.**
 - c **When not in use, keep the battery pack away from metallic objects such as paper clips, coins, keys, nails, screws or other small metallic objects that may cause a short-circuit. A short circuit can cause a fire or explosion.**
 - d **Under certain circumstances, fluid may escape from the battery pack. Avoid contact. If you come into contact with the fluid, rinse the corresponding skin thoroughly with water. If you get the fluid in your eye, seek medical attention immediately. Battery fluid can cause rashes and burns on the skin.**
- 6 **Service**
 - a **Have your power tool serviced by a qualified repair person using only identical replacement parts. This will ensure that the safety of the power tool is maintained.**

Description of the device

Illustration A

- ① Battery pack mounting
- ② Power switch
- ③ Lockable spray trigger
- ④ Spray lance
- ⑤ Spray nozzle
- ⑥ Filling nozzle with measuring cup
- ⑦ Hose connection
- ⑧ Hose
- ⑨ Shoulder strap support
- ⑩ Tank
- ⑪ Lock latch
- ⑫ *Battery Pack Battery Power 18V
- ⑬ *Quick Charger Battery Power 18V
- ⑭ Shoulder strap

* Not included in the scope of delivery.

Installation

Mounting the spray lance and hose

1. Connect the spray lance to the handle and screw it tight.
2. Turn the spray lance until it is aligned with the handle pointing downwards.

Illustration B

3. Push the nut of the hose on to the device and tighten it.

Illustration C

Note

Check the tight fit of the spray lance.

Note

When putting on the housing, make sure that the short hose on the device is inserted into the hole on the tank.

Initial startup

Filling the tank

1. Unscrew the measuring cup.
2. Fill the tank with the desired amount of water (up to 4 litres).
3. Using the measuring cup, measure the desired amount of fluid/additive (up to 120 ml) and carefully pour it into the tank.

Illustration G

4. Rinse the measuring cup with clear water and screw it back on.

Note

Hold the device horizontally with the tank completely filled to prevent any leakage through the intake opening.

Clipping in the shoulder strap

1. Clip the shoulder strap into the clips on the housing.

Note

Make sure that the shoulder strap is clipped in correctly.

Installing the battery pack

1. Push the battery pack into the receptacle in the device until it audibly locks in place.

Illustration J

Venting the pump

1. Unscrew the spray lance from the gun.
2. Actuate the power switch.
3. Press the spray trigger for at least 10 seconds until the system is vented.
4. Switch off the device.
5. Refitting the spray lance

Operation

Operation

1. Remove the spray lance.
2. Press the power switch.
Illustration D
The device starts up.
3. Press the spray trigger to spray or push it forwards for continuous operation.

Illustration E

Note

The spray actuation button is now locked.

Note

Make sure that the spray actuation button is not locked before mounting the battery pack.

4. To stop the spraying process, release the spray actuation button or, in continuous operation, push it back to stop it.

Setting the spray jet

1. Turn the nozzle to adjust the spot or spray jet

Illustration F

Transport

⚠ CAUTION

Failure to observe the weight

Risk of injury and damage

Be aware of the weight of the device during transportation.

ATTENTION

Uncontrolled startup

Risk of injury and damage

Remove the battery pack from the device before transport.

Empty the device completely prior to transport.

- Secure the device against slipping and tipping over when transporting in vehicles.

Storage

⚠ CAUTION

Failure to observe the weight

Risk of injury and damage

Be aware of the weight of the device during storage.

ATTENTION

Uncontrolled startup

Risk of injury and damage

Remove the battery pack from the device before storage.

ATTENTION

Store the device in a dry, well ventilated location out of the reach of children. Keep the device away from corrosive substances such as garden chemicals.

1. Clean the device.
2. For space-saving storage, unscrew the spray lance and press it into the lance clip on the battery slot.

Illustration H

3. Press the lance handle into the device handle.

Care and maintenance

⚠ CAUTION

Uncontrolled startup

Risk of injury and damage

Remove the battery from the device before any work.

ATTENTION

Do not use solvents to clean the plastic parts, as they corrode the materials used on the device. Remove dirt such as dust, oil and lubricants with a clean cloth.

Cleaning the tank

1. Remove the battery pack.
2. Open the lock latches and remove the tank.
Illustration I
3. Drain the tank content.
4. Clean the outside of the tank with a clean, dry cloth.
5. Fill the tank one third with clean water
6. Connect the tank to the motor casing.
7. Reinsert the battery.
8. Spray the tank content until it is completely empty.
9. Repeat this procedure several times.

Emptying the tank

1. Remove the battery pack.
2. Open the lock latches and remove the tank.

Illustration I

3. Drain the tank content

Clean the nozzle

1. Remove the battery pack.
2. Unscrew the nozzle from the spray lance.
3. Push a thin wire through the slotted holes to remove residues.
Illustration K
4. Rinse the nozzle with clean water.
5. Dry the nozzle with a clean, dry cloth and refit the nozzle.

Troubleshooting guide

Malfunctions often have simple causes that you can remedy yourself using the following overview. When in doubt, or in the case of malfunctions not mentioned here, please contact your authorised Customer Service.

Device does not spray

Nozzle is clogged

1. Clean the nozzle

Hose is clogged

1. Clean hose

Tank is empty

1. Fill tank

Air in the system

1. Vent pump (see chapter "Venting the device")

Motor not running

Battery is empty

1. Battery charging

Battery missing or battery not inserted correctly

1. Insert the battery correctly

Battery is too cold or too hot

1. Store the battery indoors or let it cool down

Device switches itself off

Circuit breaker has switched off

1. Wait until the circuit breaker switches the device back on again

Battery cannot be charged

Battery contacts are soiled

1. Clean battery contacts

Battery or charger defective

1. Replace necessary part (only use original accessories from the manufacturer)

Battery is too hot

1. Allow the battery to cool down

Battery operating time drops significantly

Battery is discharged because it has not been used for a while

1. Battery charging

Battery service life has expired

1. Replace battery (only use original accessories from the manufacturer)

Warranty

The warranty conditions issued by our relevant sales company apply in all countries. We shall remedy possible malfunctions on your appliance within the warranty period free of cost, provided that a material or manufacturing defect is the cause. In a warranty case, please contact your dealer (with the purchase receipt) or the next authorised customer service site. (See overleaf for the address)

Technical data

		PSU 4-18
Device performance data		
Working voltage of the battery	V	18
Determined values in acc. with EN 60745-1		
Sound pressure level L_{pA}	dB(A)	77
Sound power level L_{WA}	dB(A)	90
Hand-arm vibration value	m/s^2	<2,5
Working pressure (max.)	bar	3
Flow rate (max.)	l/h	30
Dimensions and weights		
Hose length	cm	120
Length of telescopic spray lance	cm	45 - 75
Weight (without battery pack)	kg	2,4
Length x width x height	mm	750 x 185 x 365

Subject to technical modifications.

EU Declaration of Conformity

We hereby declare that the machine described below complies with the relevant basic safety and health requirements in the EU Directives, both in its basic design and construction as well as in the version placed in circulation by us. This declaration is invalidated by any changes made to the machine that are not approved by us.

Product: Plant sprayer battery

Type: 1.145-xxx

Currently applicable EU Directives

2006/42/EC (+2009/127/EC)

2014/30/EU

2011/65/EU

Harmonised standards used

EN 60745-1

EN 50580:2014

EN 62233: 2008

EN 55014-1: 2017 + A11: 2020

EN 55014-2: 2015

EN IEC 63000: 2018

The signatories act on behalf of and with the authority of the company management.



H. Jenner

Chairman of the Board of Management



S. Reiser

Director Regulatory Affairs & Certification

Documentation supervisor:

S. Reiser

Alfred Kärcher SE & Co. KG

Alfred-Kärcher-Str. 28 - 40

71364 Winnenden (Germany)

Ph.: +49 7195 14-0

Fax: +49 7195 14-2212

Winnenden, 2021/09/01

Contenu

Remarques générales.....	13
Utilisation conforme.....	13
Protection de l'environnement.....	14
Accessoires et pièces de rechange	14
Etendue de livraison.....	14
Symboles sur l'appareil.....	14
Niveaux de danger.....	14
Consignes de sécurité.....	14
Description de l'appareil.....	15
Montage.....	16
Mise en service.....	16
Utilisation.....	16
Transport.....	16
Stockage.....	16
Entretien et maintenance.....	17
Dépannage en cas de pannes.....	17
Garantie.....	17
Caractéristiques techniques.....	17
Déclaration de conformité UE.....	17

Remarques générales



Veillez lire ces consignes de sécurité, ce manuel d'instructions original, les consignes de sécurité jointes au bloc-batterie et le manuel d'instructions original joint à votre bloc-batterie/chargeur standard avant la première utilisation de votre appareil. Suivez ces instructions. Conservez les documents pour une utilisation ultérieure ou pour le propriétaire suivant.

Outre les remarques dans ce manuel d'utilisation, vous devez prendre en compte les directives générales de sécurité et les directives pour la prévention des accidents du législateur.

Utilisation conforme

Le pulvérisateur à pression sans fil est conçu pour être utilisé à l'extérieur, dans une zone bien ventilée. Ce produit est destiné à la pulvérisation de produits chimiques pour la maison et le jardin, tels que des insecticides, fongicides et engrais. Le produit peut également être utilisé pour arroser des plantes. N'utilisez pas le produit à d'autres fins que celles mentionnées ci-dessus. Le produit ne doit pas être utilisé par des enfants ou par



THANK YOU!
MERCI! DANKE! ¡GRACIAS!



Registrieren Sie Ihr Produkt und profitieren Sie von vielen Vorteilen.

Register your product and benefit from many advantages.

Enregistrez votre produit et bénéficiez de nombreux avantages.

Registre su producto y aproveche de muchas ventajas.

www.kaercher.com/welcome



Bewerten Sie Ihr Produkt und sagen Sie uns Ihre Meinung.

Rate your product and tell us your opinion.

Évaluer votre produit et dites-nous votre opinion.

Reseñe su producto y díganos su opinión.



www.kaercher.com/dealersearch

Alfred Kärcher SE & Co. KG
Alfred-Kärcher-Str. 28-40
71364 Winnenden (Germany)
Tel.: +49 7195 14-0
Fax: +49 7195 14-2212

